

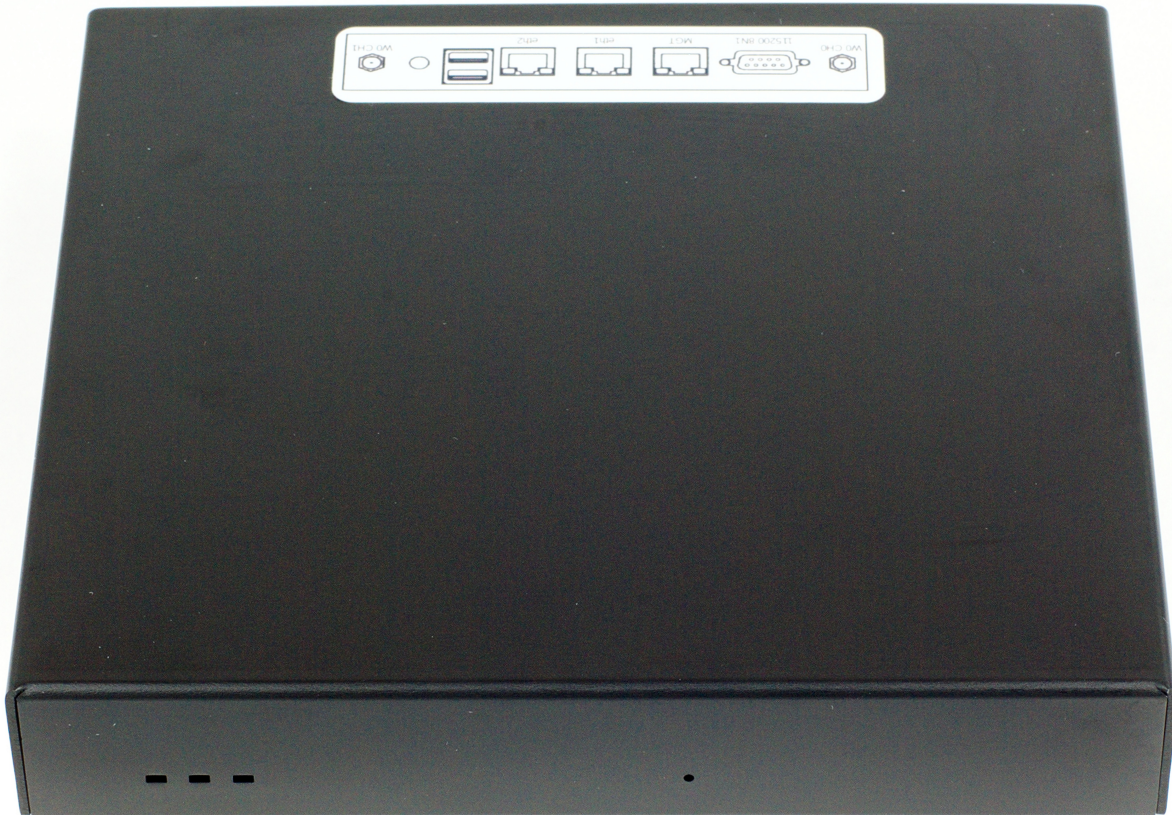
CT910 LANforge-ICE 45Mbps WAN Emulator

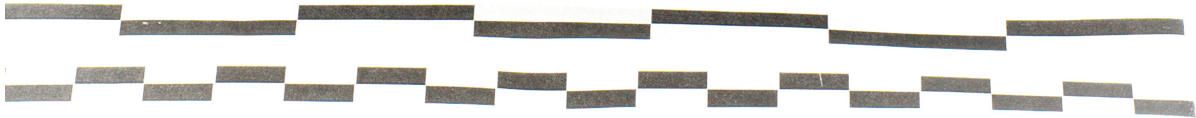
Support Options

3-months support \$995.00 USD ▾

Add to Cart

The CT910 is an excellent choice for a portable network emulator supporting speeds up to 45Mbps (bi-directional). It can insert latency, packet loss, bandwidth constraints, packet reordering, duplication and corruption, and other impairments in a controllable manner. The CT910 has no moving parts and will fit into a small travel bag or briefcase for easy portability. It is also completely silent, so you can include it in your customer demos and presentations. It should be managed by the LANforge-GUI running on a separate machine (laptop, etc). The CT910 can also be managed over a serial console in text mode. For more powerful systems, consider the CT913 or CT963.

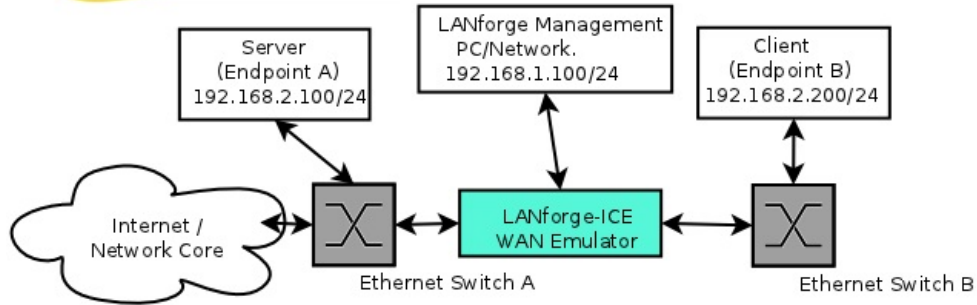




NOTE: This product may have a different hardware configuration than the system pictured above.
Refer to your official quote for details.

Candela Technologies Inc., 2417 Main Street, Suite 201, P.O. Box 3285, Ferndale, WA 98248, USA
www.candelatech.com | sales@candelatech.com | +1 360 380 1618

Example Network Diagram



This diagram shows how one might use LANforge ICE to emulate a Wide Area Network between a Server and Client. When the Client communicates with the Server, the traffic will flow through the Ethernet switches and then through LANforge ICE. LANforge ICE will enforce the rate limitation and other network emulation as configured. The Client and Server are on the same subnet. For a simpler configuration, the Client and Server can be directly connected to the LANforge ICE system.

Quick Start Guide

1. Connect Management Ethernet port to Management network or management PC.
2. Connect Client to eth1 and Server to eth2. The eth1 <-> eth2 interfaces will be bridged and this bridge will inject the network emulation.
3. Connect power brick to standard US or European AC power source.
4. Install the LANforge-GUI on a separate management PC or Laptop. Windows and Linux GUIs are supported: Select the correct one from the CDROM or Candela Technologies Download page, or visit the LANforge appliance IP address with your web browser, and install it.
5. The CT910 should now boot. If DHCP is enabled on the Management network, the CT910 will automatically acquire an IP address. If DHCP is not available, the IP address will be set to 192.168.1.101 by the LANforge scripts.
6. Start the LANforge-GUI on the management PC and click the 'Discover' button. It should find the CT910 appliance and add the IP address to the drop-down box in the Connect widget. Press 'Connect' and you will be connected to the CT910.
7. Select the WanLinks tab in the GUI. One of the pre-configured tests should already be running. You may double-click the row in the top section to modify the configuration. You can also view a real-time report of the test with the 'Display' button. Any modifications take place immediately after you click 'Submit'.

LANforge-ICE Related Screen Shots

WanLinks Tab

LANforge Manager Version(5.2.4)

Control Reporting Tear-Off Help

Stop All Restart Manager Refresh HELP

Layer-4 Generic Test Mgr Resource Mgr Serial Spans PPP-Links Event Log Alerts Port Mgr Messages

Status Layer-3 L3 Endps VoIP/RTP VoIP/RTP Endps Armageddon WanLinks Collision-Domains File-IO

Rpt Timer: fast (1 s) Go Test Manager all

Select All Start Switch Stop Clear

Display Create Modify Batch Modify Delete

Hide Stopped

WanLinks for Selected Test Manager

Name	EID	K-M	State	Endpoints (A <-> B)	Pkt Tx A->B	Pkt Tx A<-B	Rate A->B	Rate A<-B	Rpt Timer
VRWL-1.1.000	6.22	✓	Run	VRWL-1.1.000-A ...	565,080	439,422	1,000,000,000	1,000,000,000	1.00
VRWL-1.1.001	6.3	✓	Run	VRWL-1.1.001-A ...	4,054,185	3,658,228	1,000,000,000	1,000,000,000	1.00
VRWL-1.1.002	6.2	✓	Run	VRWL-1.1.002-A ...	18,632	18,593	44,736,000	44,736,000	1.00
VRWL-1.1.003	6.4	✓	Run	VRWL-1.1.003-A ...	3,657,007	4,040,390	1,000,000,000	1,000,000,000	1.00

All WanLink Endpoints

WPs	Name	Run	Script	Max Rate	Tx Pkts	Rx Pkts	Tx Rate	Tx Drop %	Dropped	Tx-Failed	Failed-Late	TX Bytes
+	VRWL-1.1.0...	✓	Stopped	1,000,000,...	439,422	565,088	1,014,228	0	0	0	0	653,589,...
+	VRWL-1.1.0...	✓	Stopped	1,000,000,...	565,080	439,434	1,020,730	0	0	9	0	843,838,...
+	VRWL-1.1.0...	✓	None	1,000,000,...	3,658,228	4,054,215	69,677	0	0	0	0	782,190,...
+	VRWL-1.1.0...	✓	None	1,000,000,...	4,054,185	3,658,203	77,642	0	0	0	0	866,984,...
+	VRWL-1.1.0...	✓	None	44,736,000	18,593	18,613	85,816	0	0	0	0	3,980,56,...
+	VRWL-1.1.0...	✓	None	44,736,000	18,632	18,612	85,849	0	0	0	0	3,988,51,...

Logged in to: 192.168.100.138:4002 as: Admin

Candela Technologies Inc., 2417 Main Street, Suite 201, P.O. Box 3285, Ferndale, WA 98248, USA
 www.candelatech.com | sales@candelatech.com | +1 360 380 1618

WanLink Display

WanLink Display: VRWL-1.1.000 Manager: brent-6port

Endpoint: VRWL-1.1.000-A (1.1.9.65)

Endpoint: VRWL-1.1.000-B (1.1.11.66)

30-sec Averages

WAN Speed: 128 Kbps TX Rate: 128.124 Kbps
 RX Rate: 130.572 Kbps TX Pkts: 981
 Dropped: 0 Duplicated: 0
 Reordered: 0 TX Failed: 0

4.295 Gbps
 16.777 Mbps
 65.526 Kbps
 256 bps
 0 bps
 128 Kbps
 96 Kbps
 64 Kbps
 32 Kbps
 0 bps

Rx Bytes Dropped [Record-Dropped]
 Rx Throughput [Recorded]

129 KB Backlog

30-sec Averages

WAN Speed: 128 Kbps TX Rate: 127.734 Kbps
 RX Rate: 140.298 Kbps TX Pkts: 1100
 Dropped: 0 Duplicated: 0
 Reordered: 0 TX Failed: 0

4.295 Gbps
 16.777 Mbps
 65.526 Kbps
 256 bps
 0 bps
 128 Kbps
 96 Kbps
 64 Kbps
 32 Kbps
 0 bps

Rx Bytes Dropped [Record-Dropped]
 Rx Throughput [Recorded]

129 KB Backlog

WanPaths for WanLink Endpoint: VRWL-1.1.000-A

Name	Tx Rate	Disabled	!	IF	Filter Pattern	Tx Pkts	Rx Pkts	TX Bytes	RX Bytes	Dropped	Dup Pkts	OOO Pkts	Co

WanPaths for WanLink Endpoint: VRWL-1.1.000-B

Name	Tx Rate	Disabled	!	IF	Filter Pattern	Tx Pkts	Rx Pkts	TX Bytes	RX Bytes	Dropped	Dup Pkts	OOO Pkts	Co

Display Selected Paths Pause Display Print Modify Stop Refresh Clear Close

Create/Modify WanLink Window

VRWL-1.1.009 - Create/Modify WanLink
Apply OK Display WanLink & WanPaths Cancel

1 WanLink Information

Name: VRWL-1.1.009

Presets: CUSTOM

Endpoint A	Endpoint B
Port: 25 (oddVR14b)	27 (oddVR15b)
Transfer Rate: 11 (1.544 Mbps)	11 (1.544 Mbps)
Delay: zero (0 us)	zero (0 us)
Drop-Freq: zero (0%)	zero (0%)
Jitter: zero (0 us)	zero (0 us)
Jitter-Freq: zero (0%)	zero (0%)

2 WanLink Information

Pass-Through HW Pass-Through

Coupled-Mode Kernel-Mode

Resource: 1 (lec2010-ath9k-1)

Rpt Timer: fast (1 s)

Endpoint A	Endpoint B
Reorder-Freq: zero (0%)	zero (0%)
Dup-Freq: zero (0%)	zero (0%)
Drop Burst: min 1 max 1	min 1 max 1
Reorder Amt: min 1 max 20	min 1 max 20

Script Script

3 Endpoint A WAN Paths **Endpoint B WAN Paths**

Name	Tx Rate	Disabled	!	Filter Pattern	Delay
wp1	1.544 M	<input type="checkbox"/>	<input type="checkbox"/>	Src: 0.0.0.0/0 Dest: 0.0.0.0/0	50

4 WanLink Information

CPU-ID: 0

Test Manager: default_tm

Endpoint A	Endpoint B
Replay File: <input type="checkbox"/> ICEcap Replay	<input type="checkbox"/> ICEcap Replay
Dir: <input type="text"/>	<input type="text"/>
<input checked="" type="checkbox"/> Loop Replay	<input checked="" type="checkbox"/> Loop Replay
<input checked="" type="checkbox"/> Replay Latency	<input checked="" type="checkbox"/> Replay Latency
<input checked="" type="checkbox"/> Replay Loss	<input checked="" type="checkbox"/> Replay Loss
<input checked="" type="checkbox"/> Replay Dup	<input checked="" type="checkbox"/> Replay Dup
<input checked="" type="checkbox"/> Replay Bandwidth	<input checked="" type="checkbox"/> Replay Bandwidth

Dump File:

Force Packet Gap Force Packet Gap

Drop-Xth Drop-Xth

Reorder-Xth Reorder-Xth

QDisc: FIFO FIFO

Max Lateness: AUTO AUTO

Backlog Buffer: AUTO AUTO

	Endpoint A	Endpoint B		Endpoint A	Endpoint B
Corruption: 1 Rate:	0	0	Corruption: 4 Rate:	0	0
Corruption:	Random Write	Random Write	Corruption:	Random Write	Random Write
Byte-to-Write:	0	0	Byte-to-Write:	0	0
Range Offset:	min 0 max 0	min 0 max 0	Range Offset:	min 0 max 0	min 0 max 0
	<input type="checkbox"/> Chain-to-Next	<input type="checkbox"/> Chain-to-Next		<input type="checkbox"/> Chain-to-Next	<input type="checkbox"/> Chain-to-Next
	<input type="checkbox"/> Checksum	<input type="checkbox"/> Checksum		<input type="checkbox"/> Checksum	<input type="checkbox"/> Checksum

Software Features

1. General purpose WAN and Network impairment emulator.
2. Able to simulate DS1, DS3, DSL, CableModem, Satellite links and other rate-limited networks, from 10bps up to 45Mbps (full duplex).
3. Can modify various network attributes including: network-speed, latency, jitter, packet-loss, packet-reordering, and packet-duplication.
4. Supports Packet corruptions, including bit-flips, bit-transposes and byte-overwrites.
5. Supports WanPath feature to allow configuration of specific behavior between different IP subnets, MAC addresses or other packet filters using a single pair of physical interfaces. WanPath support may require purchase of additional WanPath licenses, please ask your sales contact for more information.
6. Supports routed and bridged mode for more flexibility in how you configure your network and LANforge-ICE.
7. Supports WAN emulation across virtual 802.1Q VLAN interfaces more efficient use of limited physical network interfaces.
8. Supports 'WAN-Playback' allowing one to capture the characteristics of a live WAN and later have LANforge-ICE emulate those captured characteristics. The playback file is in XML format, and can be easily created by hand or with scripts. The free LANforge-ICEcap tool can be used to probe networks and automatically create the XML playback file.
9. Allows packet sniffing and network protocol decoding with the integrated [Wireshark](#) protocol sniffer.
10. Includes comprehensive management information detailing all aspects of the LANforge system including processor statistics, test cases, and Ethernet port statistics.
11. GUI runs as Java application on Linux, MAC and Microsoft Operating Systems (among others).
12. GUI can run remotely, even over low-bandwidth links to accommodate the needs of the users.
13. Central management application can manage multiple units, tests, and testers simultaneously.
14. Includes easy built-in scripting to automatically iterate through bandwidth, latency and other settings. Advanced programmatic scripting over a TCP socket also supported and example perl libraries and scripts are included.
15. Automatic discovery of LANforge resources simplifies maintenance and configuration of LANforge test equipment.

Hardware Specification

1. Affordable Appliance with no fans.
2. Operating System: Fedora Linux with customized 64-bit Linux kernel.
3. Three 1Gbps Ethernet ports, room for two wifi NICs
4. AMD GX-412TC quad-core 1GHz processor.
5. DB9 Serial console (115200 8 N 1) for console management & initial configuration.
6. 4 GB RAM.
7. 30+ GB Solid State mSata storage Drive.
8. Larger storage drives available.
9. 12v 2AMP external power supply (brick).
10. Weight: 2 lbs
11. Dimensions: 7 x 7 x 1 inches Metric: 170 x 170 x 30 mm.
12. Operating Temperature: -20 ~ 45°C.

13. Certification: CE Emission, FCC Class A, RoHS

List Price: \$995 List Price with 1 Year support (17%): \$1,164

Additional Feature Upgrades

Unless otherwise noted in the product description, these features usually cost extra:

- WanPaths (LANforge-ICE feature set)
- Virtual Interfaces: MAC-VLANs, 802.1Q VLANs, WiFi stations, etc
- LANforge FIRE traffic generation.
- VOIP: Each concurrent call over the included package requires a license.
- VoIP-Mobile Audio Quality Testing using POLQA/PESQ.
- Mobile-Mobile Audio Quality Testing using POLQA/PESQ.
- Armageddon: Each pair of ports requires a license if not already included.
- RF Chambers for WiFi testing.
- External battery pack: 12+ hours for CT520, CT523, CT92X and other platforms.

Candela Technologies Inc., 2417 Main Street, Suite 201, P.O. Box 3285, Ferndale, WA 98248, USA
www.candelatech.com | sales@candelatech.com | +1 360 380 1618

Last modified: Fri Apr 12 15:32:55 PDT 2024